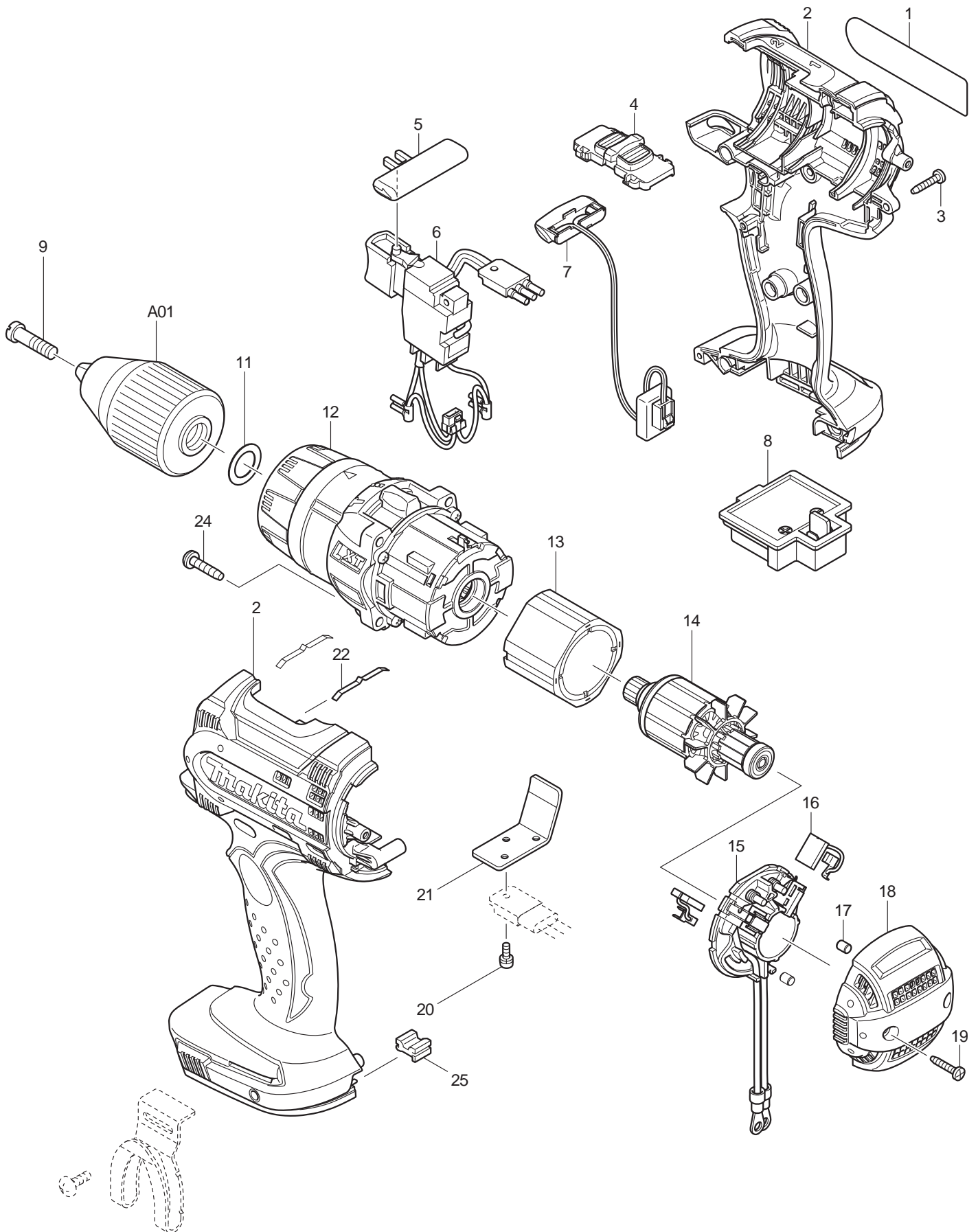




09 - 2011
BHP454 / BHP454Z / BHP454S / BHP454F
18V PERCUSSION DRIVER DRILL



Item No	Type	Ref	Part No	Description	Qty	Unit
1			865306-1	NAME PLATE F/ BHP454	1	PC.
2	1		188613-8	* HOUSING SET (TYPE 1-2)	1	SET
		3	187497-1	* HOUSING SET (TYPE 3)	1	SET
3			266130-9	TAPPING SCREW BIND PT 3X16	8	PC.
4			125488-4	SPEED CHANGE LEVER ASS'Y	1	PC.
		INC.	233438-6	COMPRESSION SPRING 4	2	PC.
5			419250-0	F/R CHANGE LEVER	1	PC.
6	1		650573-9	* SWITCH TG553FSB-4 (TYPE 1-2)	1	PC.
		3	650693-9	* SWITCH TG553FSB-4 (TYPE 3)	1	PC.
7			631692-0	LIGHT CIRCUIT	1	PC.
8	1		643812-4	* TERMINAL, BLACK	1	PC.
		2	643838-6	* TERMINAL	1	PC.
		3	643859-8	* TERMINAL	1	PC.
9			251468-5	- FLAT HEAD SCREW M6X22	1	PC.
11			253798-0	FLAT WASHER 13	1	PC.
12	2		195302	GEAR ASSEMBLY	1	PC.
		3	125576-7	GEAR ASSEMBLY	1	PC.
13			638613-3	YOKE UNIT	1	PC.
14			619230-8	ARMATURE	1	PC.
15			638614-1	BRUSH HOLDER COMPLETE	1	PC.
16	1		194427-5	CARBON BRUSH CB-440 2PC/SET (W/O ORIGIN)	1	SET
		2	195021-6	CARBON BRUSH CB-440 2PC/SET, W/ ORIGIN	1	SET
17			263032-0	RUBBER PIN 4	2	PC.
18			450644-0	REAR COVER	1	PC.
19			266130-9	TAPPING SCREW BIND PT 3X16	2	PC.
20			911006-2	PAN HEAD SCREW M3X8	1	PC.
21			689150-0	HEAT SINK	1	PC.
22			232220-0	LEAF SPRING	2	PC.
24			266045-0	TAPPING SCREW 4X20	4	PC.
25			424026-2	CUSHION	1	PC.
30			324705-1	HOOK F/ BL1430, BL1830	1	PC.
31			251314-2	+ SCREW M4X12 (F/HOOK)	1	PC.
100			652045-0	+ P.H.SCREW M3.5X5 (ENDBELL) (F/SWITCH)	1	PC.

ACCESSORIES

- See catalogue or visit www.makita.ca for more accessories information -

A01			763191-5	1/2" KEYLESS DRILL CHUCK	1	PC.
A02			122576-8	STOPPER POLE ASS'Y	1	PC.
		INC.	286226-0	CAP 20	1	PC.
		INC.	322223-3	DEPTH ROD	1	PC.
A03			122822-9	GRIP ASSEMBLY	1	PC.
		INC.	154935-8	GRIP 36 COMPLETE	1	PC.
		INC.	266349-0	SQUARE BOLT M8X50	1	PC.
		INC.	345960-2	GRIP SPRING 55	1	PC.
		INC.	450651-3	GRIP BASE	1	PC.
		INC.	931202-6	HEX. NUT M5	1	PC.
A05	1		419276-2	BIT HOLDER	1	PC.
		2	452947-8	BIT HOLDER	1	PC.
A06			784637-8	+ - BIT 2-45	2	PC.
A07			DC18RA	CHARGER DC18RA	1	PC.
			DC18SD	CHARGER DC18SD	1	PC.
			DC18SE	12V AUTOMOTIVE CHARGER DC18SE	1	PC.
			DC18RAKIT	DC18RA+BL1830 SET	1	SET
			DC24SC	CHARGER F/7.2-24V, 1.3-3.0AH BATTERY	1	PC.
A08			194205-3	18V LI-ION BATTERY BL1830	2	PC.
			194230-4	18V LI-ION BATTERY BL1830(3.0AH), 2/PK	1	PK
A09			450128-8	BATTERY COVER	1	PC.

Item No	Type	Ref	Part No	Description	Qty	Unit
A10			824812-5	PLASTIC CARRYING CASE (BLOW MOLD)	1	PC.
		INC.	163455-1	METAL LATCH	2	PC.
		INC.	419216-0	HANDLE	1	PC.
		INC.	417724-5	LATCH	2	PC.
		INC.	419268-1A	PLASTIC CASE LID, TAB TYPE	1	PC.
		INC.	419269-9	PLATE	5	PC.
		INC.	324667-3	SHAFT	1	PC.
A10	Opt.		824754-3	PLASTIC CARRYING CASE (OPTIONAL)	1	PC.
A11			195927-8	TOOL CATCHER SET	1	PC.

SERVICE CHANGES

1. Changes on Switch, Terminal, and Housing Set (Battery Protection Circuit)

(T/I# 84907)

(T/I#94114)

Item No.	Description	Type 1	Type 2	Type 3
2	HOUSING SET		188613-8	187497-1
6	SWITCH		650573-9	650693-9
8	TERMINAL	643812-4	643838-6	643859-8

Above parts are completely interchangeable as a set.

Service Note:

- Use new parts for repair of the model manufactured on or after March 2012 with using Yellow lead wire between Switch and Terminal.
- Use current parts for repair of the model manufactured before March 2012 without using Yellow lead wire between Switch and Terminal.

*** See Technical Information No. 94114 for Wiring changes.**